



Miro C210J & Miro JBox,
and Miro C210

DATA SHEET

For the most current version visit www.phantomhighspeed.com
Subject to change Rev August 2016

Phantom® Miro® C210J & C210 Digital High-Speed Cameras

The Compact & Flexible Solution
for the most difficult applications

Key Benefits:

WHEN IT'S TOO FAST TO SEE, AND TOO IMPORTANT NOT TO®

- Small, light & rugged, to meet the most demanding applications
- Modular: Systems can be as simple or complex as needed
- 1,800 fps at full 1280 x 1024 resolution

The Miro C210J & C210 digital high-speed cameras weigh just over 1lb. (.54 kg) and are just slightly larger than 3-inch cubes (Miro C210: 73mm x 73mm x 82.5mm, and Miro C210J: 73mm x 79mm x 82.5mm), but are rugged enough to withstand shocks of 170G and vibration of 24 grms. With strategically placed mounting holes, these cameras can fit in the most difficult places. An internal battery and internal, non-removable **Phantom CineFlash®** are standard with each camera. In the event of AC power loss, the **battery provides backup power** to protect the data as it saves to the CineFlash.

The Miro C210J & C210 are built on the same platform, each with distinguishing features to maximize their utility. Miro C-Series cameras can be used individually or grouped together with a Miro Junction Box to create almost any multi-camera configuration imaginable. They are complimentary to the Phantom Miro camera family and accessories, further expanding the configuration possibilities.

Both cameras achieve up to 1,800 frames-per-second (fps) at the maximum resolution of 1280 x 1024, with very low noise to capture critical details. The cameras have a 2/3" image sensor format, and can take advantage of a large selection of C and CS lenses. Comprehensive motion analysis tools come standard in the camera software included with each camera.

Key Features:

- 12-bit 1.3 Megapixel CMOS sensor
- 1,800 fps @ 1280 x 1024
- ISO (ISO 12232 SAT method):
Mono: 2,500D*; 5,000T*
Color: 640D*; 640T
- Compact, rugged design
- Hi-G: 170G, IAW MIL-STD 202G,
24Grms, IAW MIL-STD-202G
- Reversible mount for C & CS lenses
- Internal battery to protect data
- Phantom RCU compatible
- HD-SDI output
- 8GB or 16GB of RAM
- 128GB internal non-removable CineFlash included

* Measured according to ISO 12232:2006 method

Miro® C210J & C210

Protecting the Images

3 reasons images are safe if a cable is severed during an experiment:

1. Memory is local, directly on the cameras
2. Every camera has battery backup
3. Cameras can immediately store images to non-volatile CineFlash

**JBox Connections
(Each with status indicator LED):**

Ethernet	Ruggedized RJ45 connector
Power In	20-32VDC, protected for reverse polarity, overcurrent (10A), undervoltage and overvoltage to 50V. Independent power is required for each Junction Box
Ready BNC	"Closed" for ready, "open" for not ready; covers all cameras connected to this JBox and any JBox up-chain of this one
Trigger BNC	Contact closure causes trigger. There is also Trigger on System connector: isolated, <1V deassert, 3 to 24V assert
Aux BNC	Used for strobe or FSYNC for synchronization with equipment such as pulsed LED lighting
Camera Ports	Each JBox has Six Camera ports with Fischer connectors, which carry Ethernet, power, and Miro camera signals on the capture connector. There are two status LEDs for each camera port – Ethernet and camera status. One port can be used to daisy chain or branch to another JBox's System port
System	Same Fischer connector as Camera port. Connects to a Camera Port on second JBox to daisy chain or branch the system for additional cameras.

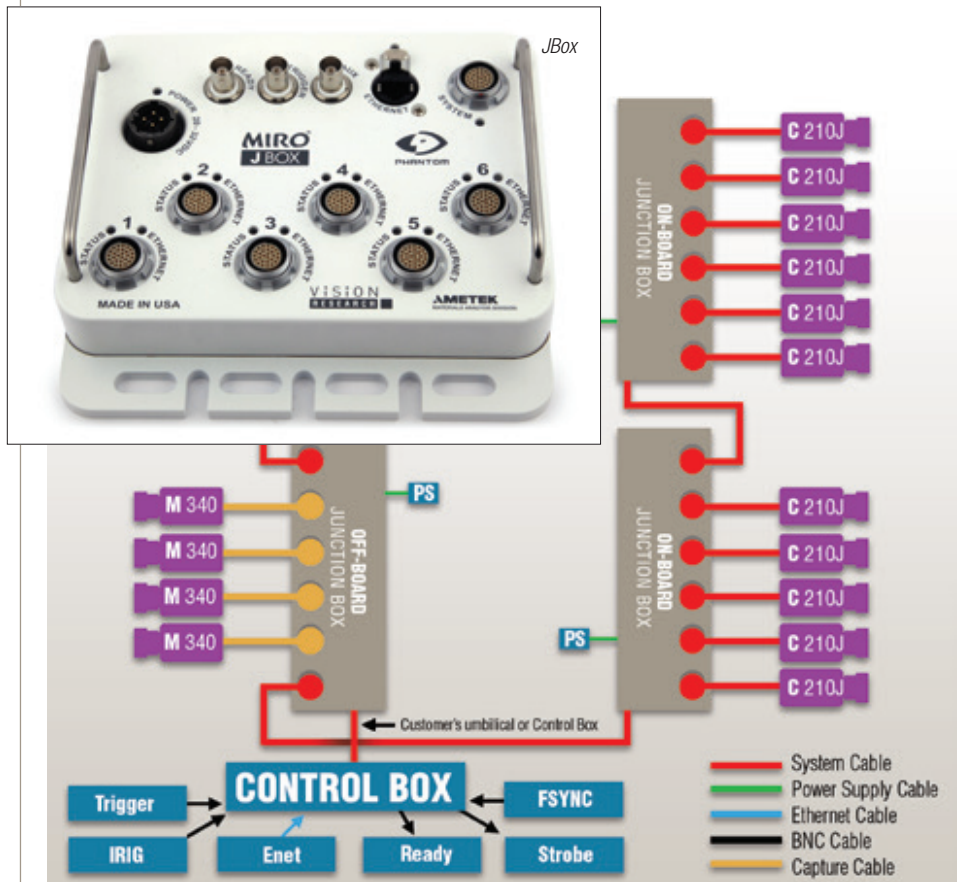
Miro C210J Camera and Junction Box

Small, light, and rugged, the Miro C210J is **designed for tough and difficult situations**, such as automotive on-board applications. It uses just a single cable to connect to the Miro Junction Box (JBox). The Miro C210J is also versatile. It can be connected to a Remote Control Unit (RCU), and also has a DIN 1.0/2.3 connector for HD video.



Phantom Miro C210J and Junction box

The Miro Junction Box (JBox) is **flexible**: With six camera ports, it can host six cameras or dedicate any port to uplink to another JBox in a daisy chain or tree branch, expanding the number of cameras in a configuration. It is **compatible with all Miro R, M, LC, and 3-Series**. Each JBox provides power to the cameras via customer supplied power source. It connects the cameras to either a central control system to manage Trigger, IRIG, Strobe, FSYNC, Ready control, and Ethernet, or directly to a computer with PCC or MultiCam software via Gb Ethernet.



Miro C210 camera

The Miro C210 **is ideal for single camera applications** requiring a small, light, and rugged camera. With three connections for Ethernet, Power, and Capture, it is compatible with all cables for Miro cameras. It comes with a power supply and MiniBoB to connect to the Capture connector. The MiniBoB is a simple and reliable way to control the Miro C210 with Trigger, IRIG in, IRIG out, F-Sync, Ready, Strobe, Event and Memgate signals, greatly enhancing the Miro C210's capability. Alternatively, the camera may also connect directly to a computer via Ethernet.

For **maximum flexibility**, the Miro C210 also **connects to a Miro Junction Box** via a Miro Capture cable.



Phantom Miro C210

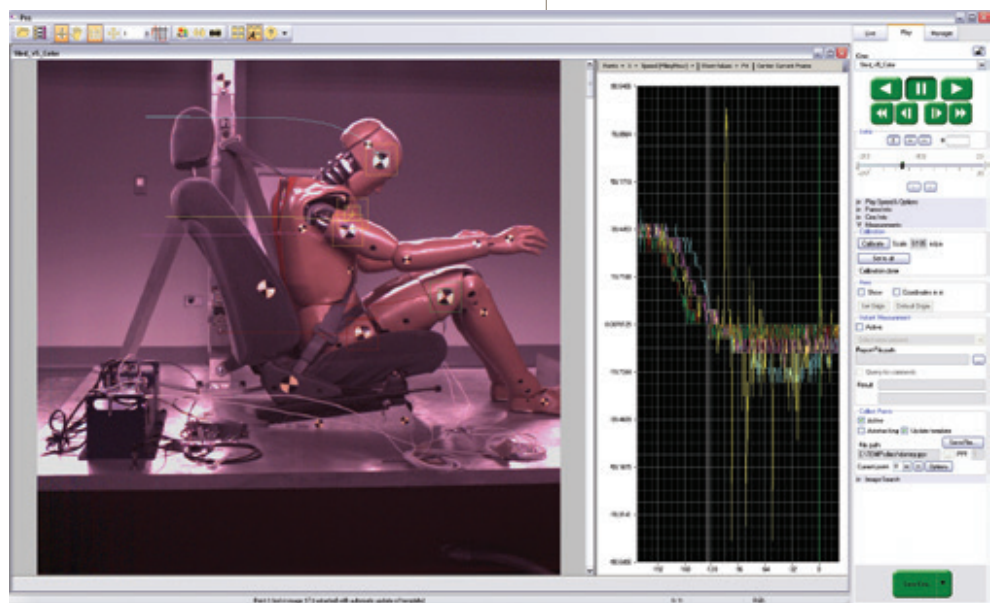
Motion Analysis Capability

The Miro C-Series uses Phantom Camera Control (PCC) software, and takes advantage of the **robust Motion Analysis features built into the software**. PCC can perform timing, position, distance, velocity, angle and angular speed measurements, and track multiple points or objects to compute and graph their XY-coordinates, speed, or acceleration. The software has several proven edge detection algorithms and image processing tools to enhance motion analysis. PCC also provides a Collect Point (tracking) tool to compute the position, speed, acceleration, and/or generate motion graphs of a point (or object) or multiple points (up to 99), with respect to the image plane, over time.

PCC Motion Analysis capabilities

Specifications

The Miro C210J & C210 are based on a 1.3 Mpx sensor with 2.3 Gpx throughput. This provides 1,800 fps at 1280 x 1024, and higher frame rates at lower resolutions. The minimum frame rate at all resolutions is 100 fps. These cameras utilize a 12-bit pixel depth, CMOS sensor, with 5.6 μm pixel size. The cameras are available in either Monochrome or Color.



DATA SHEET

Phantom® Miro® C210J & C210 Digital High-Speed Cameras

Additional Features:

Image-Based Auto-Trigger (IBAT)

Continuous Recording

Auto-Exposure

Multi-cine Acquisition

Gb Ethernet

Rechargeable Battery

Size and Weight: 1.2 lb, 0.54 kg;

Miro C210: 2.9 x 2.9 x 3.25 inches

73 x 73 x 82.5 mm (H x W x D)

Miro C210J: 2.9 x 3.1 x 3.25 inches

73 x 79 x 82.5 mm (H x W x D)

Junction Box Size and Weight: 2.8 lb, 1.27 kg;

2.1 x 7.4 x 7.4 inches

53 x 187 x 187 mm (H x W x D)

Operating Temperature:

0° C to 50° C

Tiered Service Contracts to protect your investment

Learn about these features and more here:



VISION
RESEARCH

AMETEK®
MATERIALS ANALYSIS DIVISION

100 Dey Road
Wayne, NJ 07470 USA
+1.973.696.4500

www.phantomhighspeed.com



Maximum Frame Rates	
Resolution	FPS
1280 x 1024	1,800
1280 x 720	2,540
768 x 768	2,385
640 x 480	3,760
512 x 512	3,530
384 x 288	6,100
256 x 256	6,810
128 x 128	12,700
64 x 8	67,140

Enhance your workflow with Phantom Accessories Remote Control Unit (RCU)

Both the Miro C210J & C210 are compatible with the Phantom Remote Control Unit (RCU). The RCU is a valuable accessory, offering simple local set-up and complete control when the camera is mounted remotely.

Control Breakout Box (Control BoB)

The Control Breakout Box (Control BoB) offers a sleek and simple way to connect the required signaling to a Junction Box configuration without splicing cables. With ports for IRIG, Ethernet, Ready, Strobe, and FSYNC, the Control BoB is a clean and convenient solution to manage signaling.



Vision Research Global Support - for wherever you are

Our Miro C-Series Digital High-speed camera line is supported by Vision Research's Global Service and Support network offering AMECare Performance Services from multiple sites around the globe. Maximize the value of your Phantom camera by learning more about our service and support options at www.phantomhighspeed.com/Service--Support/

AMETEK Vision Research's digital high-speed cameras are subject to the export licensing jurisdiction of the Export Administration Regulations. As a result, the export, transfer, or re-export of these cameras to a country embargoed by the United States is strictly prohibited. Likewise, it is prohibited under the Export Administration Regulations to export, transfer, or re-export AMETEK Vision Research's digital high-speed cameras to certain buyers and/or end users.

Customers are also advised that some models of AMETEK Vision Research's digital high-speed cameras may require a license from the U.S. Department of Commerce to be: (1) exported from the United States; (2) transferred to a foreign person in the United States; or (3) re-exported to a third country. Interested parties should contact the U.S. Department of Commerce to determine if an export or a re-export license is required for their specific transaction.